

4

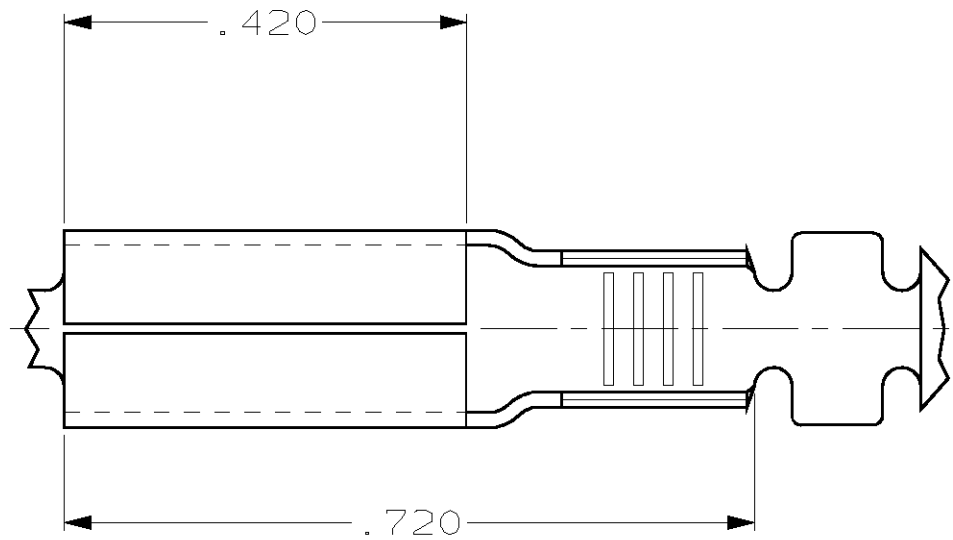
3

2

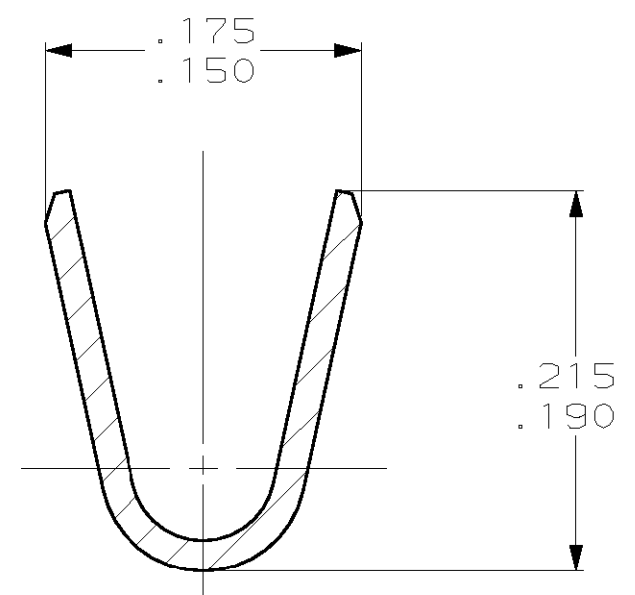
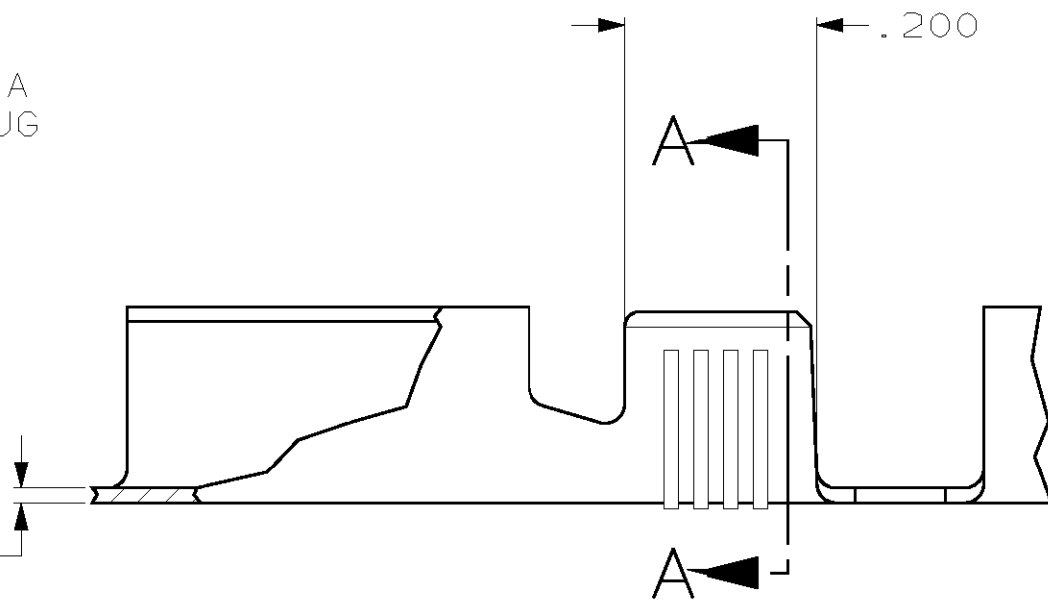
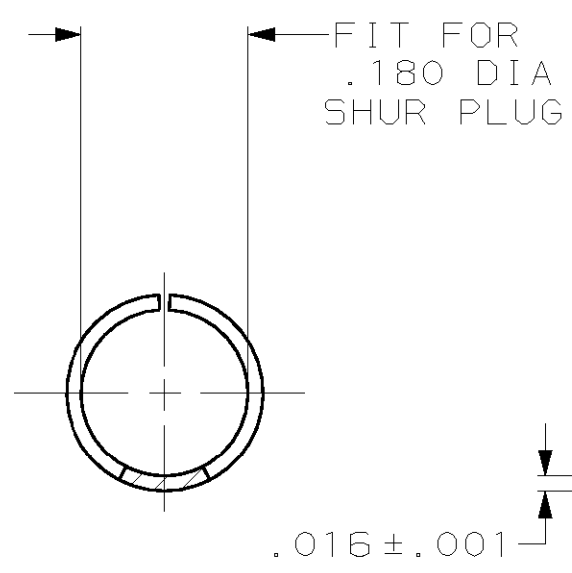
1

THIS DRAWING IS UNPUBLISHED. RELEASED FOR PUBLICATION, 19 .
 © COPYRIGHT 19 BY AMP INCORPORATED. ALL RIGHTS RESERVED.

LOC	DIST	REVISIONS					
		P	LTR	DESCRIPTION	DATE	DWN	APVD
AF	50		B	REDRAWN PER 0G3A-XXXX-01	12JUL01	MF	DD



1 CONTINUOUS STRIP ON REELS.
 2 .000080 MIN TIN PLATE.



SECTION A-A
SCALE 10:1

-	-	-
2	14-10 AWG	42891-2
-	14-10 AWG	42891-1
FINISH	WIRE RANGE	PART NUMBER

THIS DRAWING IS A CONTROLLED DOCUMENT.

DIMENSIONS: INCHES	TOLERANCES UNLESS OTHERWISE SPECIFIED:
	0 PLC ±-
	1 PLC ±-
	2 PLC ±-
	3 PLC ±.010
	4 PLC ±-
	ANGLES ±-
MATERIAL 4M BRASS	FINISH SEE TABLE

DWN MICHAEL S. FEHER 12JUL2001	AMP Incorporated Harrisburg, PA 17105-3608
CHK DONALD DECKER 12JUL2001	
APVD DONALD DECKER 12JUL2001	NAME RECEPTACLE, SHUR PLUG, .180 DIA
PRODUCT SPEC -	SIZE A3
APPLICATION SPEC 114-2017	CAGE CODE 00779
WEIGHT -	DRAWING NO C- 42891
CUSTOMER DRAWING	RESTRICTED TO -

SCALE 5:1	SHEET 1 OF 1	REV B
--------------	-----------------	----------